

D.O. Ref.
Group C
Dimn

FIG. 1. BUSY & NU TONES & TIME PULSE CIRCUIT.

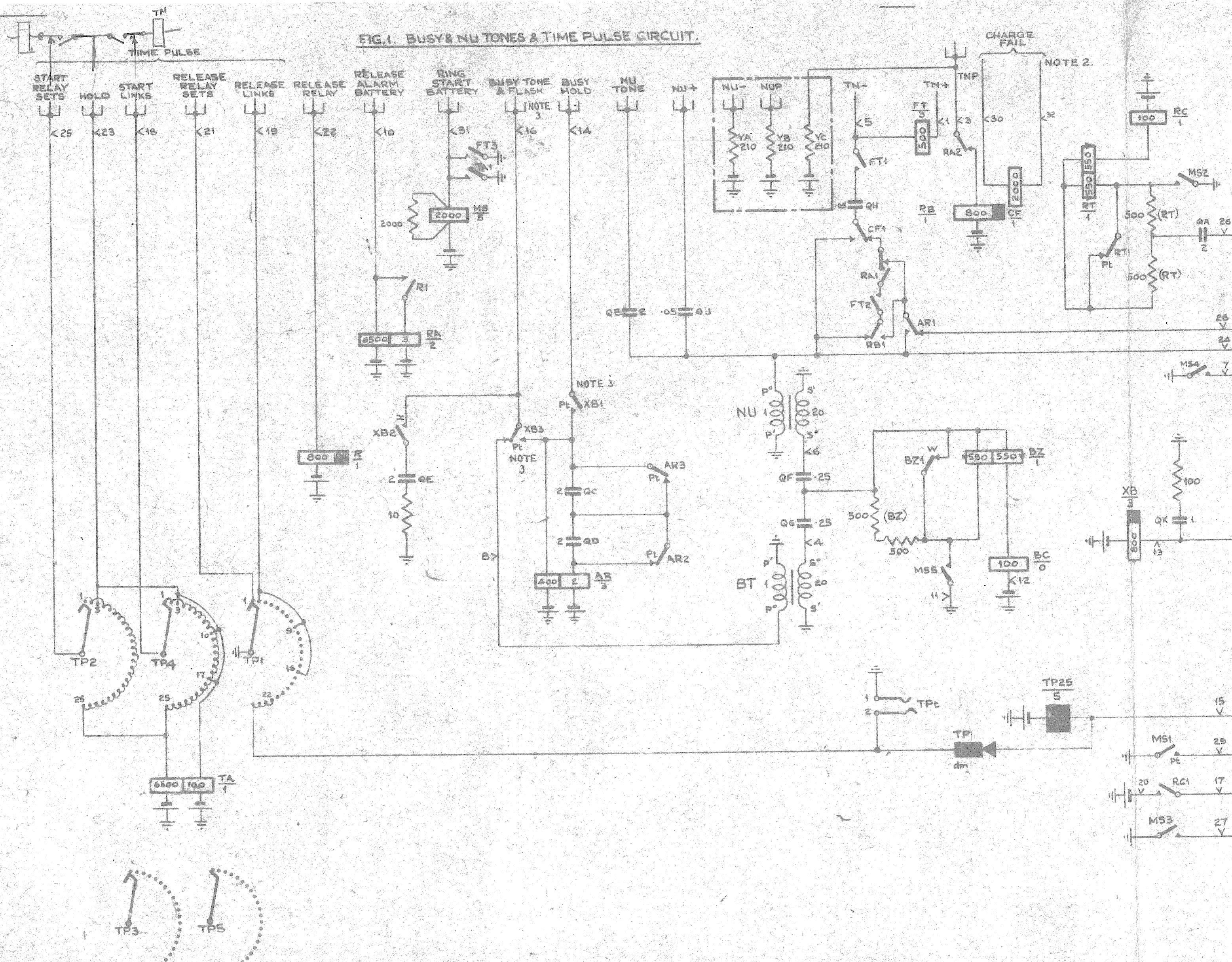


FIG. 2. RINGING, DIAL & RING TONES & METER PULSE CIRCUIT

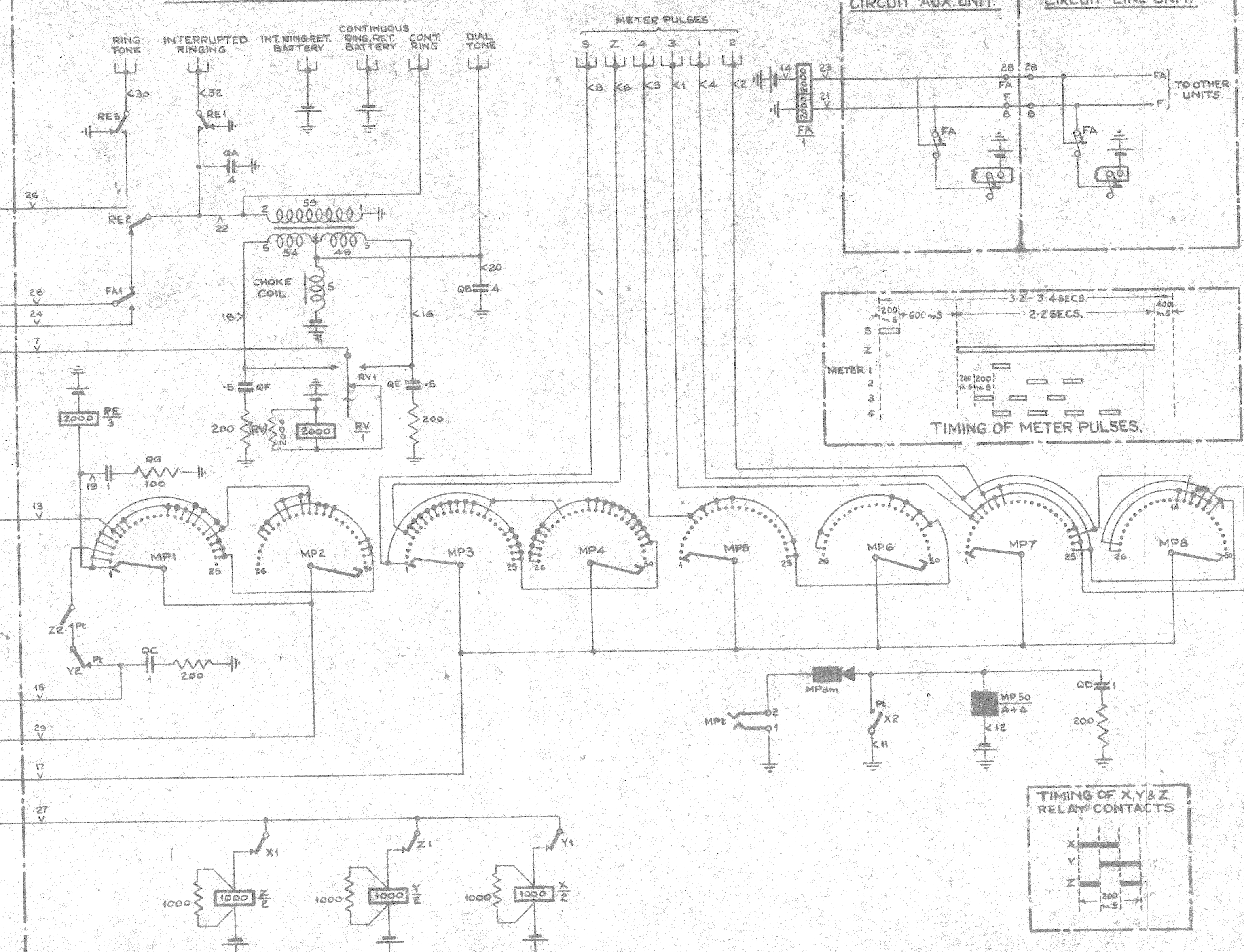
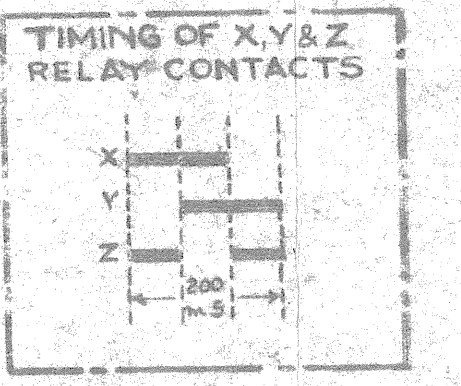
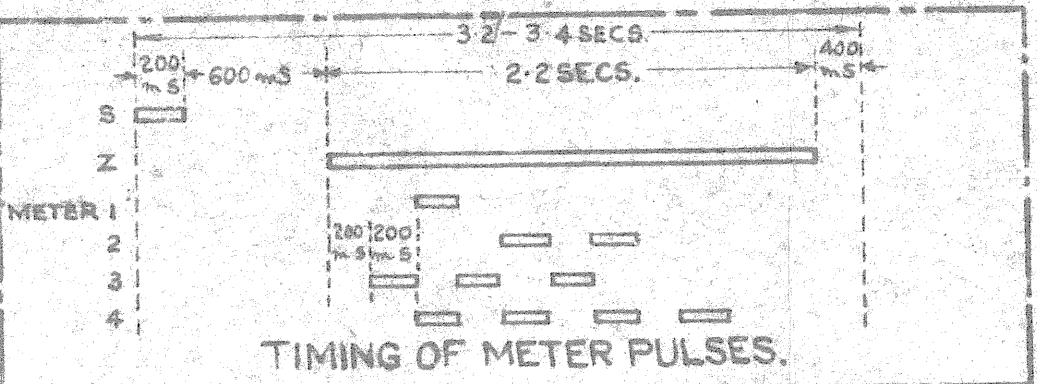
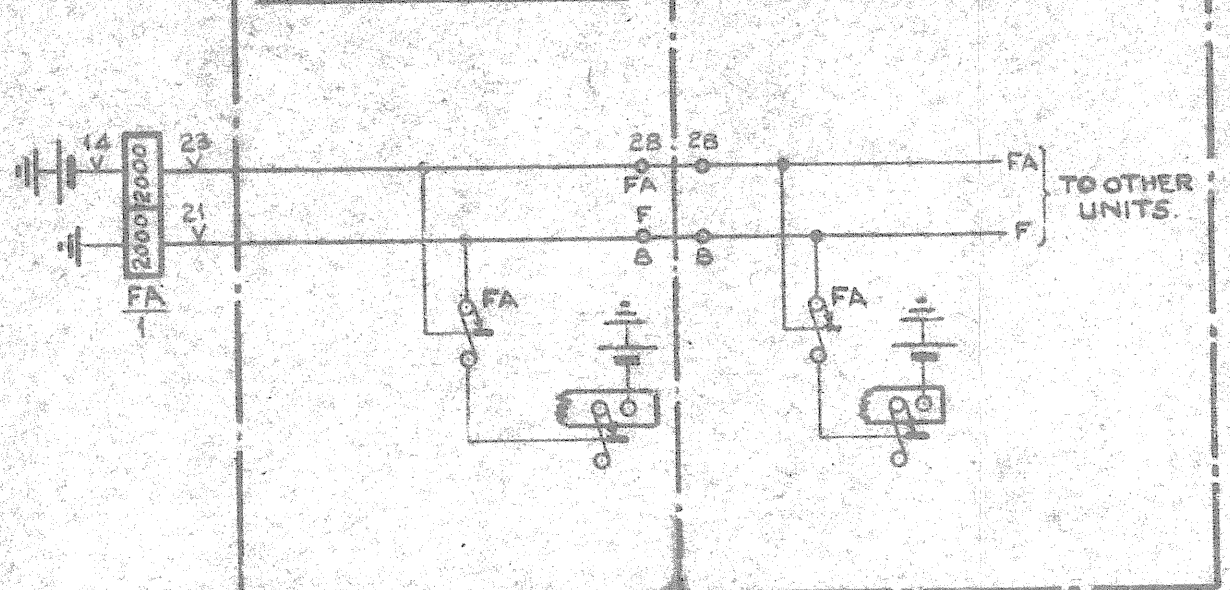


FIG. 3. FUSE ALARM CIRCUIT AUX. UNIT.

FIG. 4. FUSE ALARM CIRCUIT LINE UNIT.



- NOTES:-
1. Fusing: Fig. 2. 3A (including resistors YA, YB & YC) 1.5A, RCI Contact Fig. 2. 3A 1.5A, FA Relay 1.5A, Fuse Alarm 0.5A, Int. Ring Return 0.5A, Cont. Ring Return
 2. Connect to Battery or Earth as required on the misc. Terminal Block
 3. WHEN BUSY FLASH AND HOLD IS NOT REQUIRED: (a) DISCONNECT THE WIRES FROM AND CONNECT EARTH TO THE MAKE SPRING OF CONTACT XB3. DISCONNECT THE WIRE FROM THE LEVER SPRING OF CONTACT XB1. THE DISCONNECTED WIRES TO BE SLEEVED.

POST OFFICE ENGINEERING DEPT. ENGINEER-IN-CHIEF'S OFFICE			
DGM. AT 3662			
U.A.X. 12			
RINGING, TONES, ALARMS METER & TIME PULSES.			
SUPERSEDE			
SPECIFICATION T 3296 DIAGRAM NOTES AT 3662			
SLOW OPERATE		SLOW RELEASE	
APPROD IN T. BRANCH			
HC. ACS. H.S.W. GS	H.S.S.	5.5.37.	
AMENDMENT	ENGR. DATE	SUFFIX	
WIRING OF TP ARCS ALTERED	BW DLH 2.2.44	D	
REDRAWN. CCT. MODIFICATIONS INVOLVING NEW Y RELAY	h.w. 12.5.47	E	
NOTE 3 ADDED	at 15.3.55.	F	